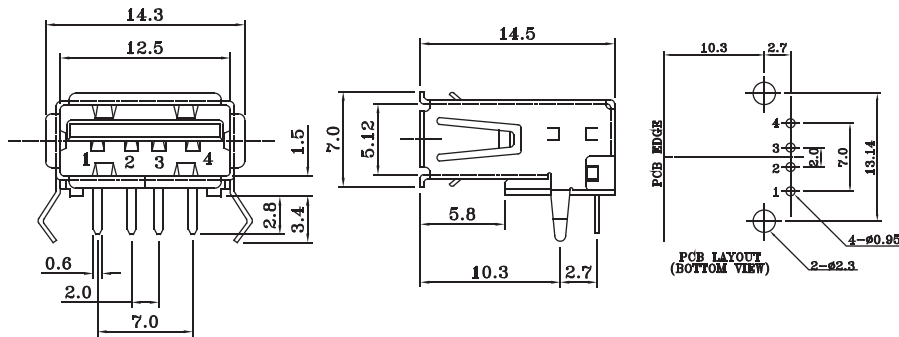


USB Female Dip 90° A Type

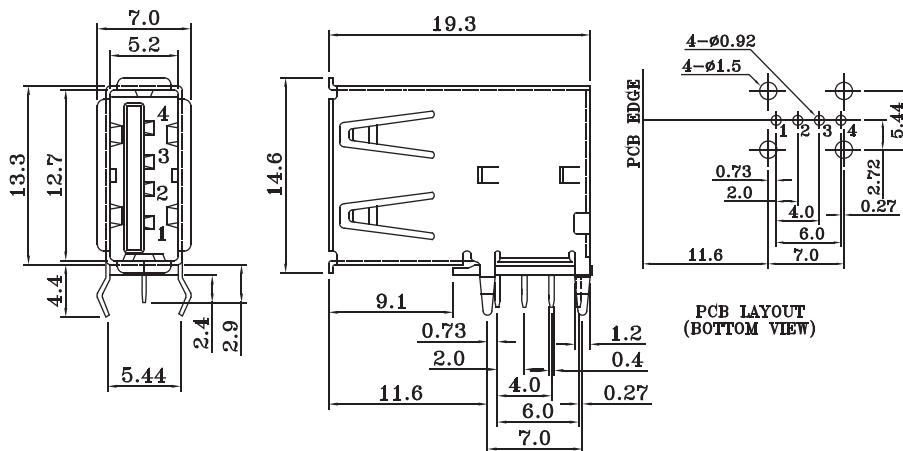


Part No.: USB-001-A□-L

B:Black W:White

No.	Name	Q'ty	Material	Remarks & Thickness	Finish
1	Housing	1	PBT G.F.		White/Black
2	Pin Term.	4	Copper Alloy T:0.25	Gold:1~3u", Ni:40~60", Tin:120u" (100% Pure Tin of Lead Free Plating)	Gold/Tin Plating
3	Shell	1	Brass T:0.3	Ni:2~3u	Nickel Plated

USB Female Dip Upright A Type

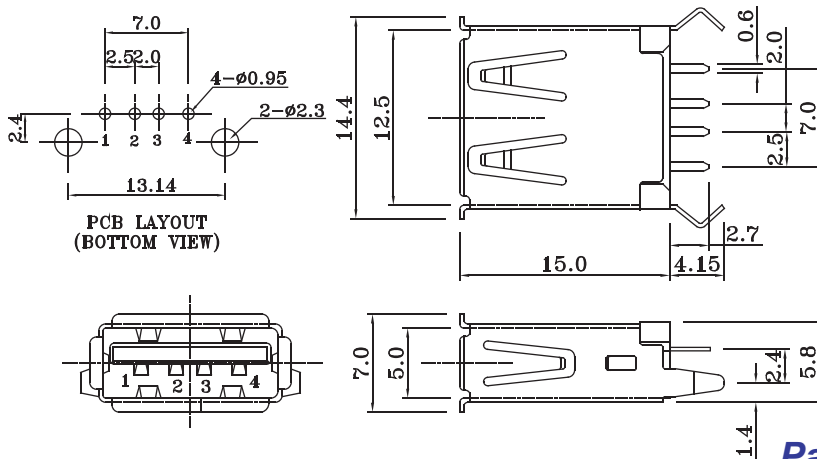


Part No.: USB-001V-A□-L

B:Black W:White

No.	Name	Q'ty	Material	Remarks & Thickness	Finish
1	Housing	1	PBT G.F.		White/Black
2	Pin Term.	4	Copper Alloy T:0.25	Ni:1~1.5u", Tin:3u", Gold:1~3u"	Gold/Tin Plated
3	Shell	1	Brass T:0.3	Ni:2~3u	Nickel Plated
4	Shell	1	Spcc T:0.3	Ni:2~3u	Nickel Plated
5	Bottom Cover	1	PBT G.F.		White

USB Female Dip 180° A Type



Part No.: USB-001K-A□-L

B:Black W:White

No.	Name	Q'ty	Material	Remarks & Thickness	Finish
1	Housing	1	PBT G.F.		White/Black
2	Pin Term.	4	Copper Alloy T:0.25	Ni:1~1.5u", Tin:3u", Gold:1~3u"	Gold/Tin Plated
3	Shell	1	Brass T:0.3	Tin:3~5u	Tin Plated
4	Bottom Cover	1	PBT G.F.		White